

WAFER TYPE BUTTERFLY VALVE Z011-A therm



Wafer type valve Z 011-A with integrated thermometer. This construction is also deliverable for the series Z 014-A.

TECHNICAL DATA

Nominal diameter:	DN 20 – DN 200 (available only with hand lever)
Deliverable for the series:	Z 011-A and Z 014-A
Face-to-face:	EN 558 Series 20 (DIN 3202 T3 K1) ISO 5752 Series 20 API 609 Table 1 BS 5155 Series 4
Flange accommodation:	DIN 2501 PN 6/10/16 ANSI B 16.5, Class 150 MSS SP44 Class 150 AWWA C 207 AS 2129 Table D and E BS 10 Table D and E JIS B 2211-5 K JIS B 2212-10 K
Lap-joint flange:	DIN 2641 and DIN 2642
Weld-on flange:	DIN 2576
Flange Surface Design:	DIN 2526, Form A-E, ANSI RF
Top flange:	EN ISO 5211 NF E 29-402
Marking:	DIN EN 19
Tightness check:	DIN 3230 T3 BO, BN (Leakage Rate 1) ISO 5208, Category 3 API 598 Table 5 ANSI B 16-104, Class VI
Temperature range:	-20 °C to + 130 °C (depending on pressure, medium and material)
Operating pressure:	max. 16 bar
Differential pressure:	max. 16 bar
Vacuum:	0,2 bar absolute (depending on medium and temperature)

FEATURES

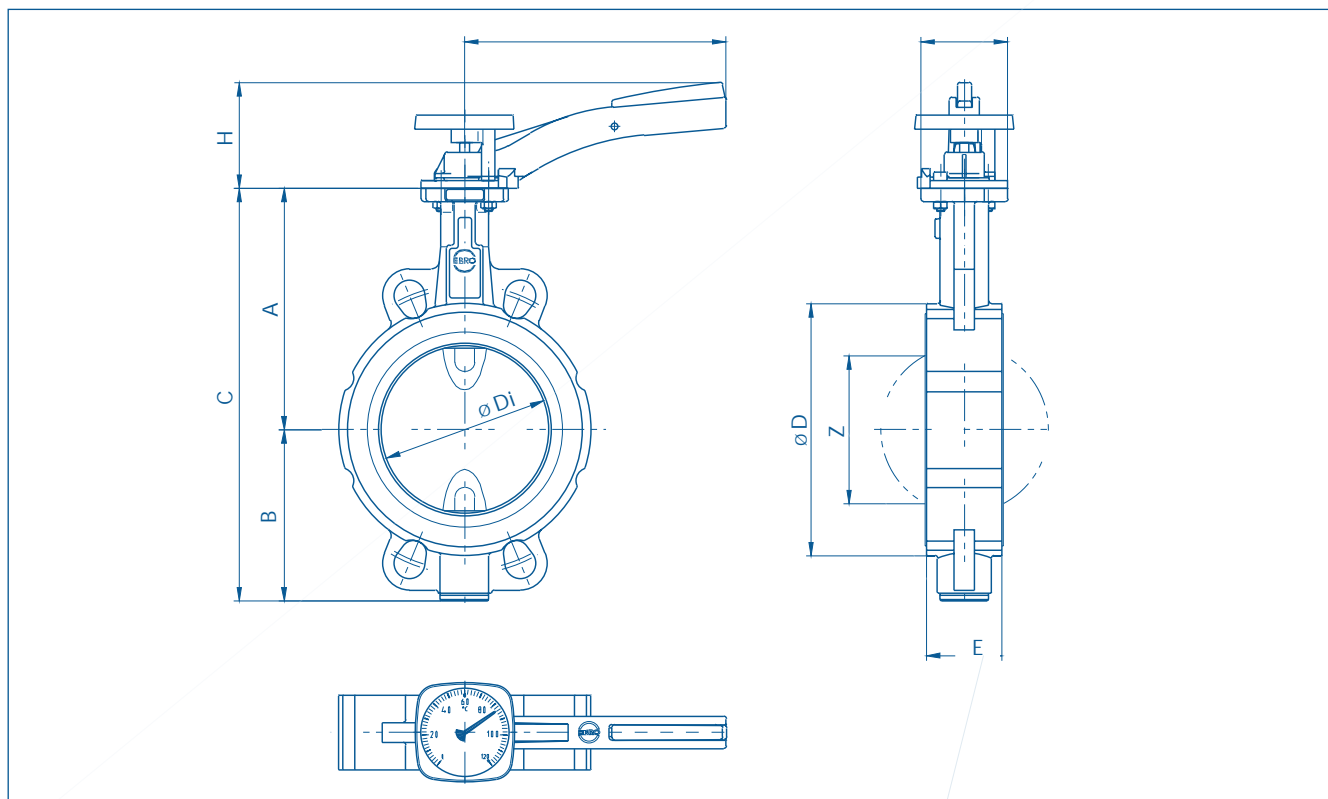
- EBRO therm butterfly valves are ready to accept thermometers, electronic thermo sensors (PT 100) or a system identification plate.
- The valves are supplied with the mounting hole sealed and the thermometer is enclosed separately $\text{\textcircled{D}}$ marked to prevent confusion.
- The patented be-metallic helix guarantees a quick reaction time during temperature changes and $\text{\textcircled{D}}$ due to its position in the valve disc $\text{\textcircled{D}}$ prevents the formation of a mixed temperature between the medium and the valve body.

GENERAL APPLICATIONS

- Civil engineering



WAFER TYPE BUTTERFLY VALVE Z011-A therm



DN [mm]	Size [in]	Dimensions [mm]										Weight [kg]
		A	B	C	D	Di	E	F	H	L	Z	
20	3/4	104	45	149	59	31,5	33	54	70	155	-	1,5
25	1	104	45	149	63	31,5	33	54	70	155	-	1,5
32	1 1/4	104	50	154	68	31,5	33	54	70	155	-	1,6
40	1 1/2	113	66	179	80	38	33	54	70	155	22	2,0
50	2	126	84	210	95	48,5	43	54	70	155	25	2,4
65	2 1/2	134	93	227	115	63,5	46	54	70	155	45	3,1
80	3	157	104	261	138	78,5	46	65	80	195	65	4,2
100	4	167	115	282	158	98,5	52	65	80	195	85	5,4
125	5	180	127	307	188	123,5	56	65	80	195	111	7,1
150	6	203	150	353	212	148	56	90	100	276	139	10,1
200	8	228	176	404	268	199	60	90	100	276	190	13,8

Subject to change without notice.