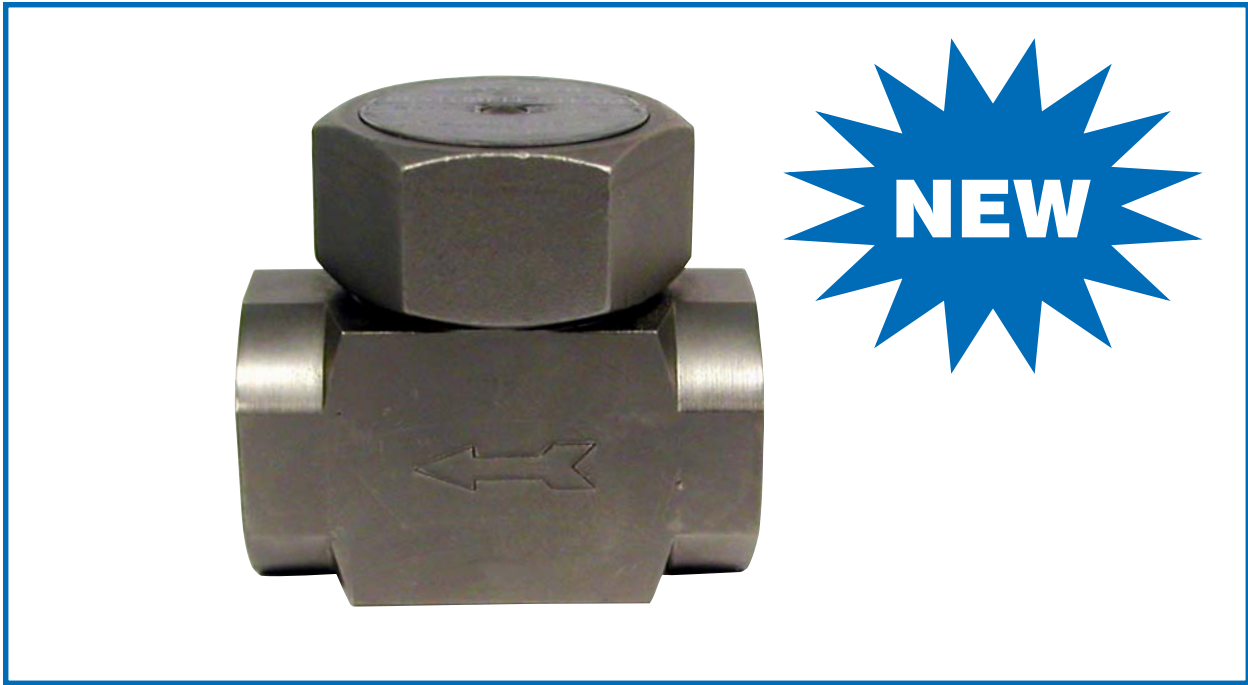


# DT-711 Series Thermodynamic Disc Traps



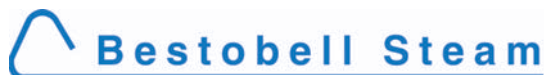
The DT-711 Series is a line of compact, lightweight, thermodynamic style disc trap designed to efficiently discharge condensate on applications with working pressure to 711 psi.

## FEATURES

- Single moving part
- Wide pressure range
- Rugged design
- Designed to fail open
- Unaffected by freezing
- Easy to check cyclic operation
- Unaffected by water hammer
- Designed for superheat
- NPT ends Standard;  
BSP ends available

## TYPICAL APPLICATIONS

- Steam main drainage and tracer lines
- Process equipment
- Laundry and kitchen equipment
- Superheated steam applications
- Outdoor installations subject to freezing



3170 Wasson Road • Cincinnati, Ohio 45209 USA  
Phone 513-533-5600 • Fax 513-871-0105  
Toll-Free Phone: 800-543-7311  
E-Mail: [steam@richardsind.com](mailto:steam@richardsind.com)  
URL: [www.bestobellsteamtraps.com](http://www.bestobellsteamtraps.com)

## Materials of Construction

No.	Part	Material
1	Body	AISI 420
2	Disc Cap	ASTM A743 Gr. CA 40
3	Disc*	AISI 410

\* Available spare

## Limiting Conditions

- PMA: Maximum allowable pressure 711 psi
- TMA: Maximum allowable temperature 799°F
- Maximum operating back pressure at the outlet should not exceed 70% of the inlet pressure.
- Minimum differential pressure for satisfactory operation = 3.5 psi

## Applicable Codes & Standards

- Pressure ratings per ANSI/FCI-69-1.
- Performance testing per ANSI/ASME PTC-39.1
- End connections per ANSI B1.20.1 for threaded ends.

## Sample Specification

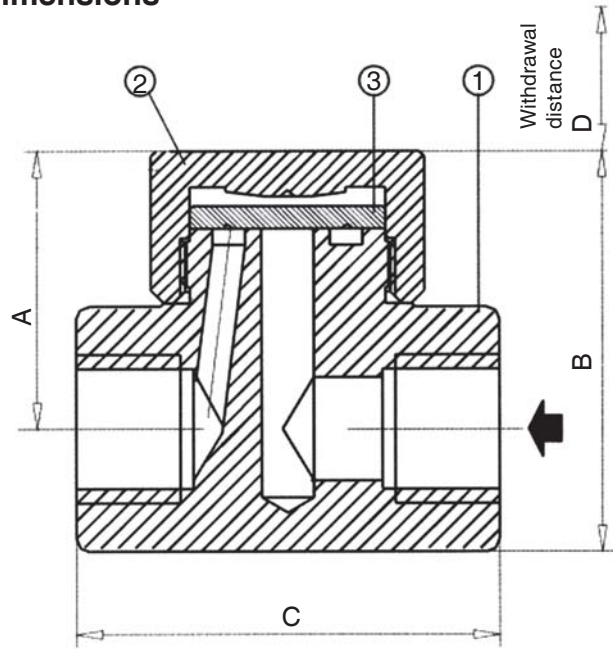
Steam traps shall be all stainless steel disc type with connections on a common center line, which will operate in any position. Integral seat design with hardened disc and seating surfaces.

## Capacity Chart

Capacities shown in black represent condensate in lbs. per hour; kg/hr shown in ( ). 1 psi = 0.0689 bar.

Size	Diferential Pressure PSI (BAR)																	
	5	10	20	30	50	75	100	150	200	250	300	350	400	450	500	550	600	711
3/8"	149 (68)	224 (102)	333 (151)	419 (190)	558 (254)	700 (318)	822 (374)	1030 (468)	1208 (549)	1367 (621)	1512 (687)	1647 (749)	1773 (806)	1892 (860)	2005 (911)	2113 (960)	2217 (1008)	2435 (1107)
1/2"	149 (68)	224 (102)	333 (151)	419 (190)	558 (254)	700 (318)	822 (374)	1030 (468)	1208 (549)	1367 (621)	1512 (687)	1647 (749)	1773 (806)	1892 (860)	2005 (911)	2113 (960)	2217 (1008)	2435 (1107)
3/4"	187 (85)	262 (119)	371 (169)	457 (208)	596 (273)	738 (335)	860 (391)	1068 (485)	1246 (566)	1405 (639)	1550 (705)	1685 (766)	1811 (823)	1930 (877)	2043 (929)	2151 (978)	2255 (1025)	2473 (1124)
1"	232 (105)	333 (151)	476 (216)	588 (267)	766 (348)	948 (431)	1097 (499)	1353 (615)	1570 (714)	1763 (801)	1938 (881)	2094 (952)	2249 (1022)	2390 (1086)	2525 (1148)	2650 (1205)	2775 (1261)	3030 (1377)

## Dimensions



Size	A	B	C	D	Weight
3/8"	1.69 (42,9)	2.44 (61,9)	2.36 (59,9)	1.57 (39,9)	1.43 (0,65)
1/2"	1.69 (42,9)	2.44 (61,9)	2.56 (65,0)	1.57 (39,9)	1.65 (0,75)
3/4"	1.69 (42,9)	2.56 (65,0)	2.56 (65,0)	1.57 (39,9)	1.65 (0,75)
1"	1.97 (50,0)	2.87 (72,9)	3.35 (85,1)	1.77 (44,9)	3.53 (1,60)

Dimensions in inches (mm); weight in lbs (kg).

## Recommended Installation

From equipment being drained

